



Specifications

Housing	Die-cast aluminum
Gasket	Silicone rubber
Front Cover	Tempered Glass
LED Optic	Polycarbonate Lens
Surface Finish	AkzoNobel powder coating
Driver Type	Constant current, TRIAC dimming standard
LED CRI	80
Input Voltage	120V/AC
Ambient Temperature	-40°C~45°C
Ingress Protection	IP65

Certifications

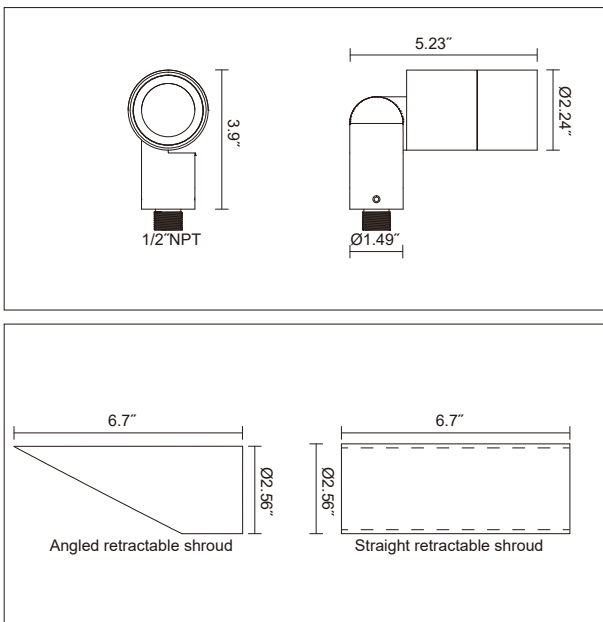


BL7016 LED 4W, 8W

Applications

LED accent light with multiple beam patterns and retractable shrouds, 360° rotatable and 180° tiltable, ideally suited for accent lighting. Miniature size, unobtrusive appearance. NPT 0.5" stem with choices of mounting accessories allow installation on hard surfaces, lawns and trees. TRIAC dimming standard.

Dimensions



Options and Accessories

Shroud



No shroud



Angled retractable shroud



Straight retractable shroud

Housing Color



Black RAL9011



White RAL9016



Gray RAL7012



Mineral bronze



Silver RAL9006

Glareshield



Honeycomb Louver

Mounting

See p. 12

Ordering Guide:

Example: BL7016 - C4 - 3 - 20 - NS - B - S

1 Series	2 Power Luminaire Output	3 CCT	4 Beam Angle	5 Shroud	6 Housing Color	7 Accessory
BL7016	C4: COB 4W ≤240lm@3K C8: COB 8W ≤480lm@3K	27: 2700K 3: 3000K 4: 4000K	20: 20° 35: 35° 45: 45° 55: 55° 4020: H40°xV20° With NS only	NS: No shroud AS: Angled retractable shroud SS: Straight retractable shroud	B: Black RAL9011 W: White RAL9016 G: Gray RAL7012 Z: Mineral bronze S: Silver RAL9006	KA: Mounting bracket A KB: Mounting bracket B KC: Mounting bracket C J: Junction Box S: Ground Stake P: Tree strap H: Honeycomb Louver M: Marine ambient corrosion resistance PC: Pole clamp for one or two fixtures RS: Retractable stem