



BL6161 LED 20Wx2, 20W

Applications

Square wall sconces, with both uplight and downlight, or either uplight or downlight, and multiple beam angle choices, to graze columns or to create light level contrast on wall façade. Choices of housing colour allow the luminaire to blend perfectly with exterior architectural colours under daylight.

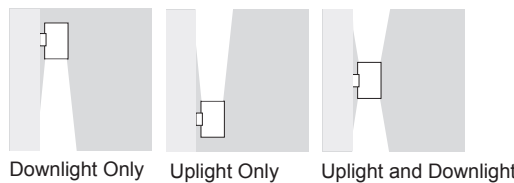
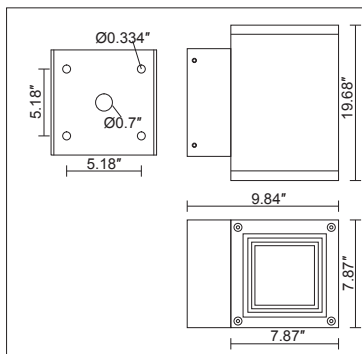
Specifications

Housing and Side Arm	Extruded aluminum
Cover	Die-cast aluminum
Gasket	Silicone rubber
Cover Lens	Tempered Glass
LED Optic	PMMA Lens
Surface Finish	AkzoNobel powder coating
Driver Type	Constant current
Input Voltage	120~277V/AC
Ambient Temperature	-20°C~45°C
Ingress Protection	IP65

Certifications



Dimensions



Ordering Guide:

Example: BL6161 - C40 - 3 - 15 - 80 - G - T

1 Series	2 Power	3 CCT	4 Beam angle	5 Ra	6 Housing Colour	7 Accessories
BL6161	C40: COB 20W x2	3: 3000K 4: 4000K 5: 5000K	15: 15° 23: 23° 38: 38° 45: 45° 60: 60°	80: Ra80	B: Black RAL9011 W: White RAL9016 G: Gray RAL7012 Z: Mineral bronze S: Silver RAL9006	M: Marine ambient corrosion resistance DMG: 0-10V Dimming T: 20° tilt to wall MT: Mounting plate for standard junction box
BL6161D: Downlight	C20: COB 20W					
BL6161U: Uplight						

