



### Specifications

Housing and Side Arm	Extruded aluminum
Cover	Die-cast aluminum
Gasket	Silicone rubber
Cover Lens	Tempered Glass
LED Optic	PMMA Lens
Surface Finish	AkzoNobel powder coating
Driver Type	Constant current
Input Voltage	120~277V/AC
Ambient Temperature	-20°C~45°C
Ingress Protection	IP65

### Certifications

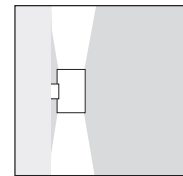
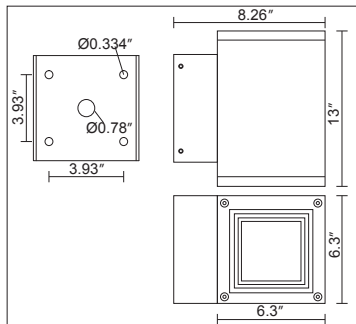


## BL6123 LED 11W, 15W, 22W, 30W

### Applications

Square wall sconces, with both uplight and downlight, or either uplight or downlight, and multiple beam angle choices, to graze columns or to create light level contrast on wall façade. Choices of housing colour allow the luminaire to blend perfectly with exterior architectural colours under daylight.

### Dimensions



Uplight and Downlight

### Ordering Guide:

Example: <sup>1</sup>BL6123 - <sup>2</sup>C22 - <sup>3</sup>3 - <sup>4</sup>15 - <sup>5</sup>80 - <sup>6</sup>G

<sup>1</sup> Series	<sup>2</sup> Power	<sup>3</sup> CCT	<sup>4</sup> Beam angle	<sup>5</sup> Ra	<sup>6</sup> Housing Colour	<sup>7</sup> Accessories
BL6123	C22: LED 11W x2 C30: LED 15W x2	3: 3000K 4: 4000K 5: 5000K	15: 15° 23: 23° 38: 38° 45: 45° 60: 60°	80: Ra80 90: Ra90	B: Black RAL9011 W: White RAL9016 G: Gray RAL7012 Z: Mineral bronze S: Silver RAL9006	M: Marine ambient corrosion resistance T: 20° tilt to wall MT: Mounting plate for standard junction box
BL6123D: Downlight	C11: LED 11W					
BL6123U: Uplight	C15: LED 15W					

