



BL6169 LED 20W

Applications

Square downlights ceiling mounted or pendant mounted to provide under-canopy general lighting. Choices of housing colour allow luminaire to blend perfectly with ceiling/canopy finish.

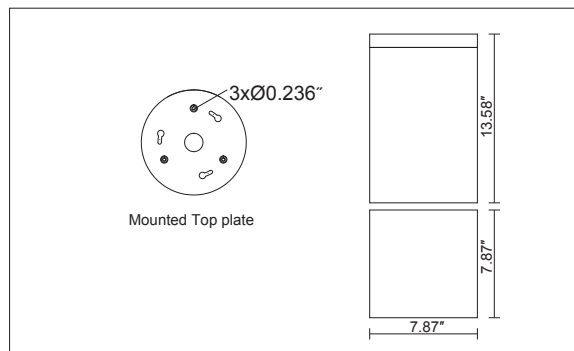
Specifications

| | |
|----------------------|--------------------------|
| Housing and Side Arm | Extruded aluminum |
| Cover | Die-cast aluminum |
| Gasket | Silicone rubber |
| Cover Lens | Tempered Glass |
| LED Optic | PMMA Lens |
| Surface Finish | AkzoNobel powder coating |
| Driver Type | Constant current |
| Input Voltage | 120~277V/AC |
| Ambient Temperature | -20°C~45°C |
| Ingress Protection | IP65 |

Certifications



Dimensions



Ordering Guide:

Example: BL6169 - C20 - 3 - 15 - 80 - G - P

| 1 Series | 2 Power | 3 CCT | 4 Beam angle | 5 Ra | 6 Housing Colour | 7 Accessories |
|----------|--------------|----------------------------------|---|----------|---|---|
| BL6169 | C20: COB 20W | 3: 3000K 4: 4000K 5: 5000K | 15: 15° 23: 23° 38: 38° 45: 45° 60: 60° | 80: Ra80 | B: Black RAL9011 W: White RAL9016 G: Gray RAL7012 Z: Mineral bronze S: Silver RAL9006 | M: Marine ambient corrosion resistance DMG: 0-10V Dimming P: Pendant mount 3' hanging cable MT: Mounting plate for standard junction box |

