



BL6162 LED 4W

Applications

Square downlights ceiling mounted or pendant mounted to provide under-canopy general lighting. Choices of housing colour allow luminaire to blend perfectly with ceiling/canopy finish.

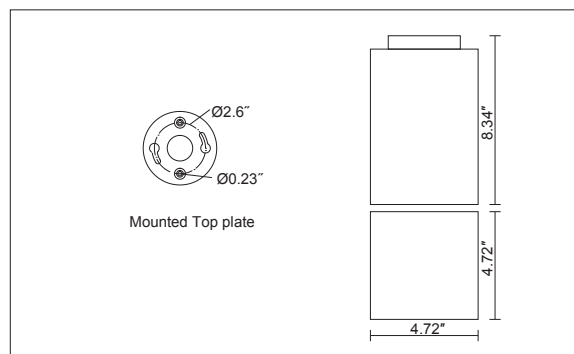
Specifications

Housing and Side Arm	Extruded aluminum
Cover	Die-cast aluminum
Gasket	Silicone rubber
Cover Lens	Tempered Glass
LED Optic	PMMA Lens
Surface Finish	AkzoNobel powder coating
Driver Type	Constant current
Input Voltage	120~277V/AC
Ambient Temperature	-20°C~45°C
Ingress Protection	IP65

Certifications



Dimensions



Ordering Guide:

Example: **BL6162 - C4 - 3 - 15 - 80 - G - P**

1	2	3	4	5	6	7
Series	Power	CCT	Beam angle	Ra	Housing Colour	Accessories
BL6162	C4: COB 4W	3: 3000K 4: 4000K 5: 5000K	15: 15° 23: 23° 38: 38° 45: 45° 60: 60°	80: Ra80	B: Black RAL9011 W: White RAL9016 G: Gray RAL7012 Z: Mineral bronze S: Silver RAL9006	M: Marine ambient corrosion resistance P: Pendant mount 3' hanging cable MT: Mounting plate for standard junction box

