




### BL6022 LED 21W

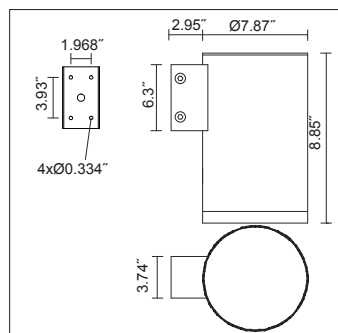
#### Applications

Round wall sconces, aimed either up or down, with multiple beam angle choices, to graze columns or to create light level contrast on wall façade. Choices of housing colour allow the luminaire to blend perfectly with exterior architectural colours under daylight.

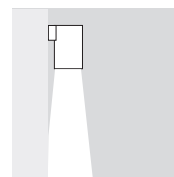
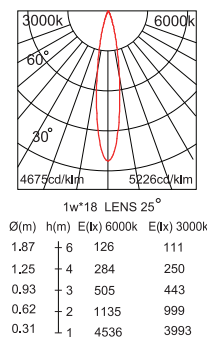
#### Specifications

Housing	Extruded aluminum
Cover and Side Arm	Die-cast aluminum
Gasket	Silicone rubber
Cover Lens	Tempered Glass
LED Optic	PMMA Lens
Surface Finish	AkzoNobel powder coating
Driver Type	Constant current
Input Voltage	120~277V/AC_except 24V.DC for RGB
Ambient Temperature	-20°C~45°C
Ingress Protection	IP65
Certifications	 RGB REQUIRES LISTED REMOTE DRIVER

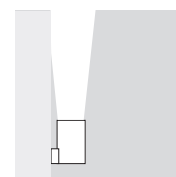
#### Dimensions



#### Photometric Data



Downlight Only



Uplight Only

#### Ordering Guide:

Example: **BL6022D - C21 - 3 - 25 - 80 - G - T**

1 Series	2 Power	3 CCT	4 Beam angle	5 Ra	6 Housing Colour	7 Accessories
BL6022D: Downlight BL6022U: Uplight	C21: LED 21W	3: 3000K 4: 4000K 6: 6000K R: Red G: Green B: Blue RGB: R.G.B	15: 15° 25: 25° 38: 38° 45: 45° 60: 60°	80: Ra80	B: Black RAL9011 W: White RAL9016 G: Gray RAL7012 Z: Mineral bronze S: Silver RAL9006	T: 20° tilt to wall M: Marine ambient corrosion resistance DMG: 0-10V Dimming MT: Mounting plate for standard junction box



AN AMERICAN COMPANY