



BL6009 LED 4Wx2, 4W

Applications

Round wall sconces, with both uplight and downlight, or either uplight or downlight, and multiple beam angle choices, to graze columns or to create light level contrast on wall façade. Asymmetric up/down beam angles create patterns of enhanced visual interest. Choices of housing colour allow the luminaire to blend perfectly with exterior architectural colours under daylight.

Specifications

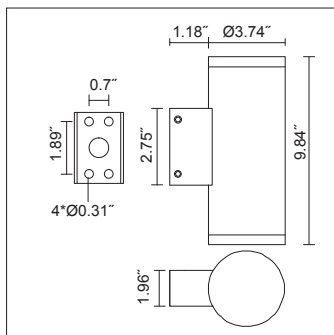
Housing	Extruded aluminum
Cover and Side Arm	Die-cast aluminum
Gasket	Silicone rubber
Cover Lens	Tempered Glass
LED Optic	PMMA Lens
Surface Finish	AkzoNobel powder coating
Driver Type	Constant current
Input Voltage	120~277V/AC_except 24V.DC for RGB
Ambient Temperature	-20°C~45°C
Ingress Protection	IP65

Certifications

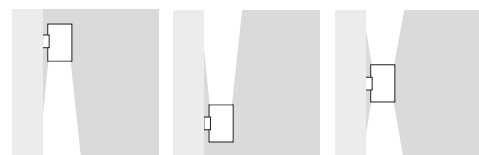
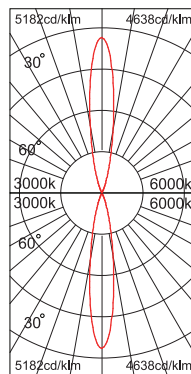


RGB REQUIRES LISTED
REMOTE DRIVER

Dimensions



Photometric Data



Downlight Only Uplight Only Uplight and Downlight

1w*3				
Ø(m)	h(m)	E(lx) 6000k	E(lx) 3000k	
1.86	6	22	17	
1.24	4	48	39	
0.93	3	86	69	
0.62	2	192	154	
0.31	1	769	600	

Ordering Guide:

Example: **BL6009 - C8 - 3 - 25 - 80 - G - T**

1 Series	2 Power	3 CCT	4 Beam angle	5 Ra	6 Housing Colour	7 Accessories
BL6009	C8: LED 4Wx2	3: 3000K 4: 4000K 6: 6000K	05: 5° 15: 15° 25: 25°	80: Ra80	B: Black RAL9011 W: White RAL9016 G: Gray RAL7012 Z: Mineral bronze S: Silver RAL9006	T: 20° tilt to wall M: Marine ambient corrosion resistance MT: Mounting plate for standard junction box
BL6009D: Downlight BL6009U: Uplight	C4: LED 4W	R: Red G: Green B: Blue RGB: R.G.B	45: 45° 60: 60° 0560: UP5°XDown60°			

