

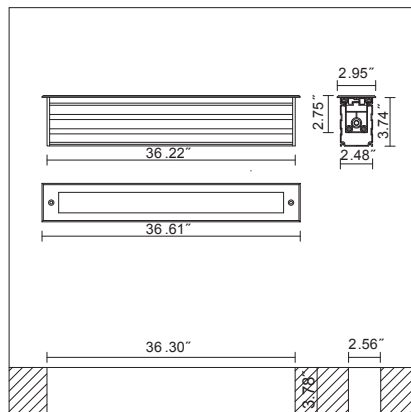


### BL8542 LED 28W

#### Applications

Ingrade linear uplight with multiple beam angle options including long and narrow pattern and 15° tilt, ideally suited for burial installations in concrete and lawns for wall wash and lighting of ground mounted signs and linear objects. DMX controlled RGB colour changes available as well as dimmable white light.

#### Dimensions



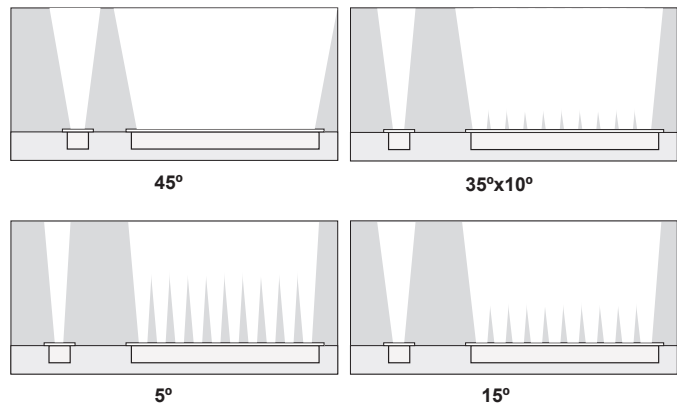
#### Specifications

Housing	Extruded aluminum
End Caps	Die-cast aluminum
Gasket	Silicone rubber
Top Cover	Clear Tempered Glass
LED Optic	PMMA Lens
Top Cover Frame	Stainless steel
Driver Type	Constant current
Input Voltage	100~277V/AC _except 24V.DC for RGBW
Ambient Temperature	-20°C~45°C

Certifications	 RGBW REQUIRED LISTED REMOTE DRIVER
----------------	---



#### Beam Patterns



#### Ordering Guide:

Example: **BL8542 - C28 - 3 - 15 - 80 - S4 - T**

1 Series	2 Power	3 CCT	4 Beam angle	5 Ra	6 Cover Frame	7 Accessories
BL8542	C28: LED 28W	3: 3000K 4: 4000K 6: 6000K R: Red G: Green B: Blue RGBW: R.G.B.W	05: 5° 15: 15° 25: 25° 45: 45° 60: 60° 3510: H35°xV10°	80: Ra80	S4: 304 Stainless steel S6: 316 Stainless steel	T: 15° tilt M: Marine ambient corrosion resistance DMG: 0-10V Dimming DC: Daisy chain wiring

