



Specifications

Housing	Extruded aluminum
End Caps	Die-cast aluminum
Gasket	Silicone rubber
Top Cover	Clear Tempered Glass
LED Optic	PMMA Lens
Top Cover Frame	Stainless steel
Driver Type	Constant current
Input Voltage	100~277V/AC_ except 24V.DC for RGBW
Ambient Temperature	-20°C~45°C

Certifications  **RGBW REQUIRES LISTED DRIVER**

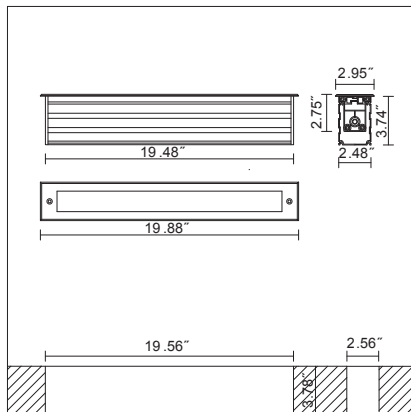


BL8537 LED 14W

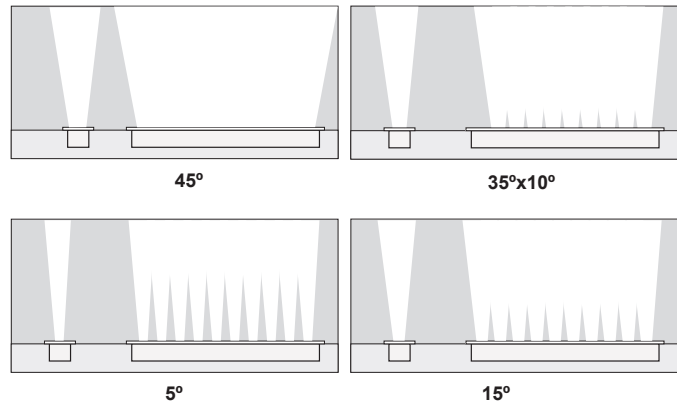
Applications

Ingrade linear uplight with multiple beam angle options including long and narrow pattern and 15° tilt, ideally suited for burial installations in concrete and lawns for wall wash and lighting of ground mounted signs and linear objects. DMX controlled RGB colour changes available as well as dimmable white light.

Dimensions



Beam Patterns



Ordering Guide:

Example: BL8537 - C14 - 3 - 15 - 80 - S4 - DMG

1 Series	2 Power	3 CCT	4 Beam angle	5 Ra	6 Cover Frame	7 Accessories
BL8537	C14: LED 14W	3: 3000K 4: 4000K 6: 6000K R: Red G: Green B: Blue RGBW: R.G.B.W	05: 5° 15: 15° 25: 25° 45: 45° 60: 60° 3510: H35°xV10°	80: Ra80	S4: 304 Stainless steel S6: 316 Stainless steel	T: 15° tilt M: Marine ambient corrosion resistance DMG: 0-10V Dimming DC: Daisy chain wiring

