

BL9009 LED 20W BL9008 RGB LED 32W

Applications

Stainless steel fountain lights, choices of white light or RGB for mounting around a fountain nozzle and below water surface. When energized and in operation, product must be fully submerged in water and water must be kept at a neutral pH value.

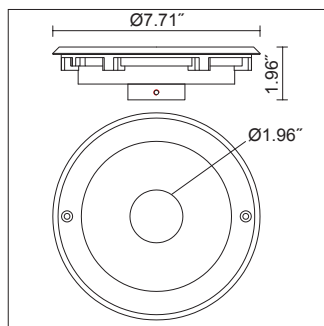
Specifications

Housing	Stainless steel 316 (Standard)
Cover Ring	Stainless steel 316 (Standard)
Gasket	Silicone rubber
Cover Lens	Tempered Glass
LED Optic	PMMA Lens
Surface Finish	Stainless steel 316 (Standard)
Driver Type	Constant voltage
Input Voltage	24V/DC
Ambient Temperature	-20°C~45°C
Ingress Protection	IP68.....5m

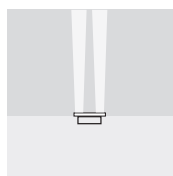
Certifications



Dimensions



Beam Patterns



Ordering Guide:

Example: ¹BL9009 - ²C20 - ³3 - ⁴80 - ⁵15 - ⁶3 - ⁷RDM

1 Series	2 Power	3 CCT	4 Ra	5 Beam Angle	6 Cord Length	7 Accessories
BL9009	C20: LED 20W	3: 3000K 4: 4000K 6: 6000K R: Red G: Green B: Blue	80: Ra80	05: 5° 15: 15° 25: 25° 45: 45° 60: 60°	3: 3 feet _: Custom length in foot	RND: Remote non-dimming driver RDM: Remote 0-10V dimming driver

BL9008 C32: RGB LED 32W RGB: R.G.B
(Remote DMX Decoder)

