



BL2165 LED 16W

Applications

Compact and inconspicuous steplights directing light downward, minimizing uplight while revealing the texture of the stepped baffle.

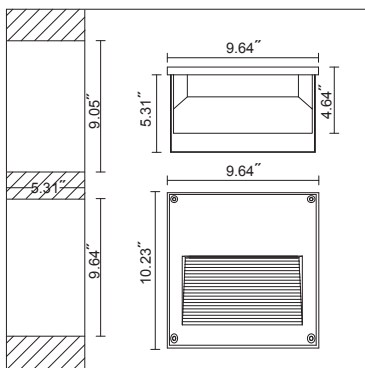
Specifications

Housing	Die-cast aluminum
Baffle Faceplate	Die-cast aluminum
Gasket	Silicone rubber
Cover Lens	PMMA Lens
Surface Finish	AkzoNobel powder coating
Driver Type	Constant current
Input Voltage	100~277V/AC
Ambient Temperature	-20°C~45°C
Beam Angle	Asymmetric
Ingress Protection	IP65

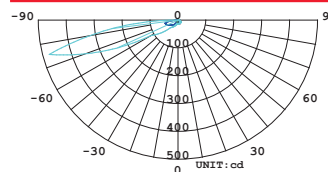
Certifications



Dimensions



Photometric Data



Ordering Guide:

Example: ¹BL2165 - ²C16 - ³3 - ⁴80 - ⁵G - ⁶DMG

1 Series	2 Power	3 CCT	4 Ra	5 Faceplate Colour	6 Accessories
BL2165	C16: LED 16W	3: 3000K 4: 4000K 6: 6000K	80: Ra80	B: Black RAL9011 W: White RAL9016 G: Gray RAL7012 Z: Mineral bronze S: Silver RAL9006	M: Marine ambient corrosion resistance DMG: 0-10V Dimming

