

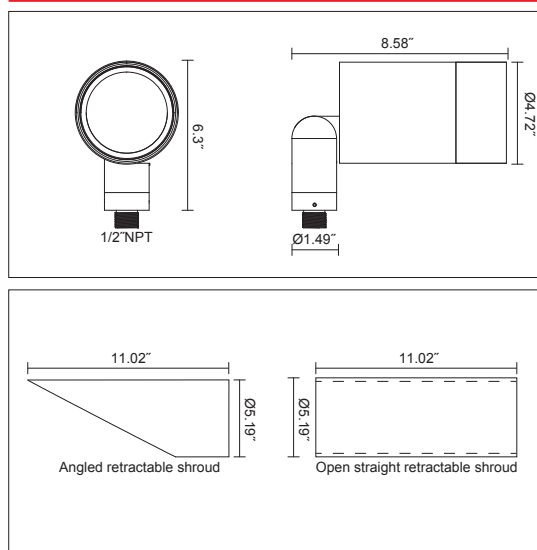


BL7069 LED 20W, 30W, 40W

Applications

LED accent light with multiple beam patterns and retractable shrouds, 360° rotatable and 180° tiltable, ideally suited for accent lighting. Miniature size, unobtrusive appearance. NPT 0.5" stem with choices of mounting accessories allow installation on hard surfaces, lawns and trees. TRIAC dimming standard.

Dimensions



Specifications

Housing	Die-cast aluminum
Gasket	Silicone rubber
Front Cover	Tempered Glass
LED Optic	Polycarbonate Lens
Surface Finish	AkzoNobel powder coating
Driver Type	Constant current, TRIAC dimming standard
Input Voltage	120V/AC
Ambient Temperature	-20°C~45°C
Ingress Protection	IP65

Certifications

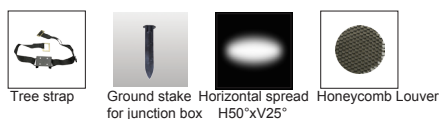


Options and Accessories

Shroud



Housing Color



Ordering Guide:

Example: BL7069 - C20 - 4 - 20 - 80 - NS - B - H

1 Series	2 Power	3 CCT	4 Beam angle	5 Ra	6 Shroud	7 Housing Color	8 Accessories
BL7069	C20: COB 20W C30: COB 30W C40: COB 40W	3: 3000K 4: 4000K	20: 20° 40: 40° 60: 60° 5025: H50°xV25°	80: Ra80	NS: No shroud AS: Angled retractable shroud OS: Open straight retractable shroud	B: Black RAL9011 W: White RAL9016 G: Gray RAL7012 Z: Mineral bronze S: Silver RAL9006	KC: Mounting bracket C J: Junction Box S: Ground Stake P: Tree strap H: Honeycomb Louver M: Marine ambient corrosion resistance (TRIAC dimming standard)

