



BL6638 LED 33W, 52W, 84W

Applications

LED linear floodlight/wall-washer with three choices of wattage/length, multiple beam patterns and side or end tiltable mounting options. Elongated beam pattern perfect for wall-washing. RGBW colour changing compatible with DMX512 control for creating theatrical effects.

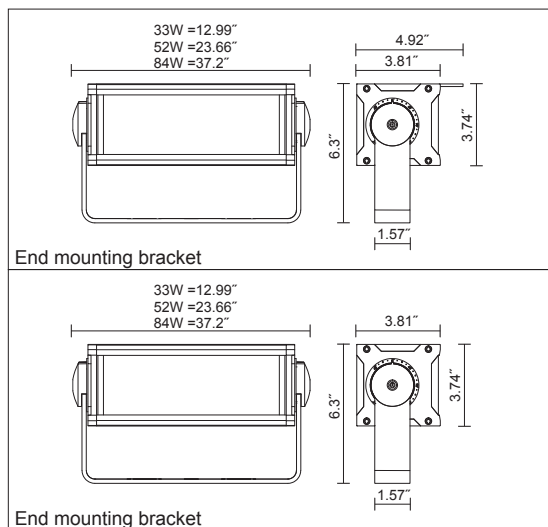
Specifications

Housing	Extruded aluminum
Gasket	Silicone rubber
Front Cover	Tempered Glass
LED Optic	PMMA Lens
Surface Finish	AkzoNobel powder coating
Driver Type	Constant current
Input Voltage	100~240V/AC_except 24V.DC for RGBW
Ambient Temperature	-20°C~45°C
Ingress Protection	IP65

Certifications



Dimensions



Options and Accessories

Housing Color



Side mounting bracket, glare shield

Ordering Guide:

Example: BL6638 - C33 - 4 - 05 - 80 - B - E - DMG

1 Series	2 Power/Length	3 CCT	4 Beam angle	5 Ra	6 Housing Color	7 Mounting bracket	8 Accessories
BL6638	C33: LED 33W/1' C52: LED 52W/2' C84: LED 84W/3'	3: 3000K 4: 4000K 6: 6000K R: Red G: Green B: Blue RGBW: R.G.B.W	05: 5° 15: 15° 25: 25° 45: 45° 60: 60° 3510: H35°xV10°	80: Ra80	B: Black RAL9011 W: White RAL9016 G: Gray RAL7012 Z: Mineral bronze S: Silver RAL9006	S: Side mounting bracket E: End mounting bracket	M: Marine ambient corrosion resistance DMG: 0-10V Dimming (not available for C33) T: 15° tilt to wall G: Glare shield DC: Daisy chain wiring

