


### Specifications

Housing	Die-cast aluminum
Gasket	Silicone rubber
Top Cover	Clear Tempered Glass
LED Optic	PMMA Lens
Bezel	Stainless steel
Driver Type	Constant current
Input Voltage	100~277V/AC
Ambient Temperature	-20°C~45°C
Certifications	

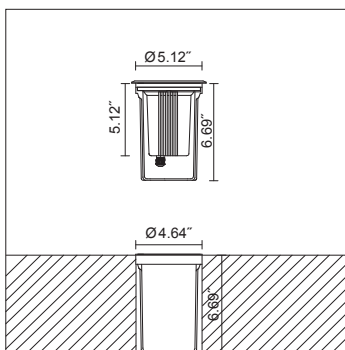


### BL8003 LED 4W

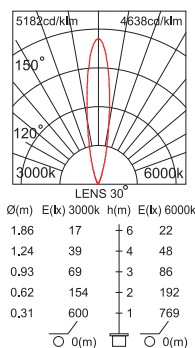
#### Applications

Small and inconspicuous in-grade uplight with full ranges of LED source, photometric and control options, ideally suited for short set-back burial installations in concrete and lawns to highlight architectural features on walls and to light up trees and bushes.

#### Dimensions



#### Photometric Data



#### Accessories



Honeycomb Louver

#### Ordering Guide:

Example: **BL8003 - C4 - 3 - 15 - 80 - S4 - H**

1	2	3	4	5	6	7
Series	Power	CCT	Beam angle	Ra	Bezel	Accessories
BL8003	C4: LED 4W	3: 3000K 4: 4000K 6: 6000K R: Red G: Green B: Blue	05: 5° 15: 15° 25: 25° 45: 45° 60: 60° 3515: H35°xV15°	80: Ra80	S4: 304 Stainless steel S6: 316 Stainless steel	H: Honeycomb Louver M: Marine ambient corrosion resistance

