




BL7030 LED 75W, 100W, 120W

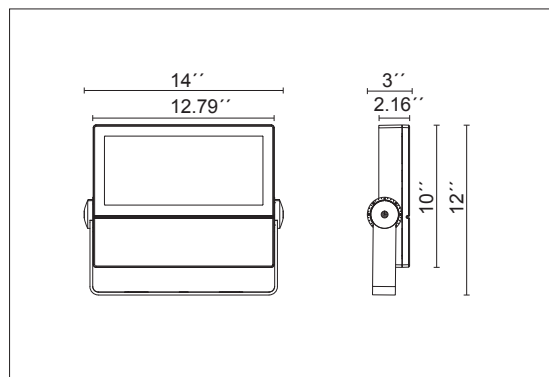
Applications

High power floodlight in a slim and compact housing with three wattage options and choices of beam patterns. Two mounting options allow adjustable aiming. 0-10V dimming available as well as RGBW colour changing compatible with DMX 512 control.

Specifications

Housing	Die-cast aluminum
Gasket	Silicone rubber
Front Cover	Tempered Glass
LED Optic	Polycarbonate Lens
Surface Finish	AkzoNobel powder coating
Driver Type	Constant current
Input Voltage	120~277V/AC_except 24V.DC for RGBW
Ambient Temperature	-20°C~45°C
Ingress Protection	IP65
Certifications	

Dimensions



Options and Accessories

Mounting



Y: Yoke



P: Pedestal (On horizontal surface only)

Housing Color



Black RAL9011



White RAL9016



Gray RAL7012



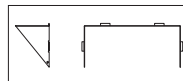
Mineral bronze



Silver RAL9006



Horizontal spread
H145°xV55°



V: Visor

Ordering Guide:

Example: 1 BL7030 - 2 C75 - 3 4 - 4 25 - 5 80 - 6 AS - 7 B - 8 S

1 Series	2 Power	3 CCT	4 Beam angle	5 Ra	6 Mounting	7 Housing Color	8 Accessories
BL7030	C75: LED 75W C100: LED 100W C120: LED 120W	3: 3000K 4: 4000K 6: 6000K	10: 10° 25: 25° 50: 50° 65: 65° 90: 90° 14555: H145°xV55°	80: Ra80	Y: Yoke P: Pedestal (on horizontal surface only)	B: Black RAL9011 W: White RAL9016 G: Gray RAL7012 Z: Mineral bronze S: Silver RAL9006	M: Marine ambient corrosion resistance DMG: 0-10V Dimming V: Visor
		R: Red G: Green B: Blue RGBW: R.G.B.W					



AN AMERICAN COMPANY