



### BL7307 LED 36W, BL7308 LED 48W

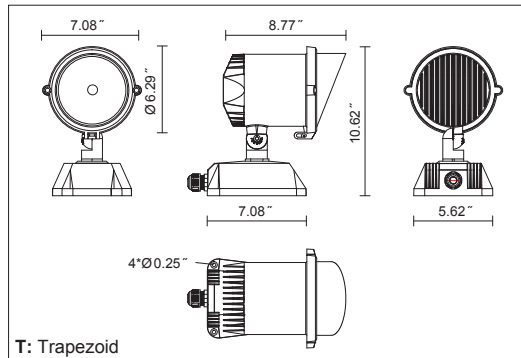
#### Applications

COB LED floodlights with two styles of gear boxes, multiple beam angle options and glare shields for mounting on ground, walls and lawns in commercial and residential applications of accent lighting, façade lighting and landscape lighting.

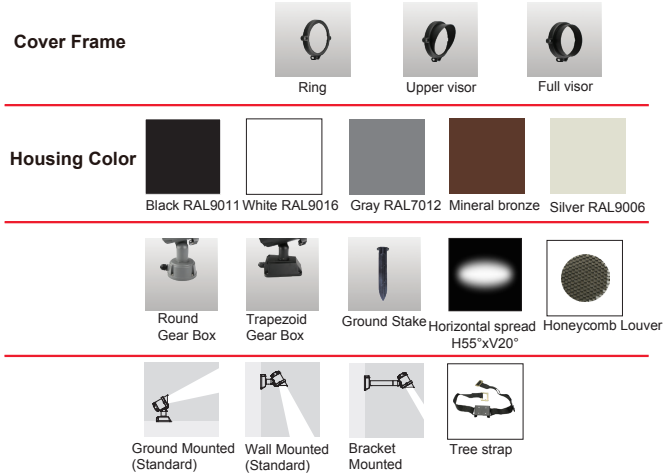
#### Specifications

Housing	Die-cast aluminum
Gasket	Silicone rubber
Front Cover	Tempered Glass
Reflector	Anodized aluminum 1090
Surface Finish	AkzoNobel powder coating
Driver Type	Constant current
Input Voltage	100~240V/AC
Ambient Temperature	-20°C~45°C
Ingress Protection	IP65
Certifications	ETL Intertek

#### Dimensions



#### Options and Accessories



#### Ordering Guide:

Example: BL7307 C36 - 4 - 30 - 80 - CV - T - B - H

1	2	3	4	5	6	7	8
Series Power	CCT	Beam angle	Ra	Cover Frame	Gear box	Housing Color	Accessories
BL7307 C36: COB 36W	3: 3000K	15: 15°	80: Ra80	CR: Ring	R: Round	B: Black RAL9011	S: Ground Stake
BL7308 C48: COB 48W	4: 4000K	30: 30°		CV: Upper visor	T: Trapezoid	W: White RAL9016	P: Tree strap
	5: 5000K	45: 45°		CF: Full visor		G: Gray RAL7012	H: Honeycomb Louver
		3618: H36°xV18°				Z: Mineral bronze	B3: 3ft bracket
						S: Silver RAL9006	B6: 6ft bracket
							DMG: 0-10V Dimming
							M: Marine ambient corrosion resistance
							MT: Mounting plate for standard junction box