

### ET2155 LED 8W

#### Applications

Compact and inconspicuous steplights directing light downward, minimizing uplight while revealing the texture of the stepped baffle.

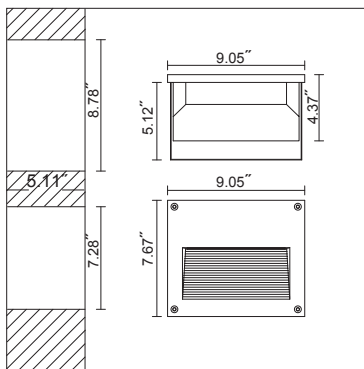
#### Specifications

Housing	Die-cast aluminum
Baffle Faceplate	Die-cast aluminum
Gasket	Silicone rubber
Cover Lens	PMMA Lens
Surface Finish	AkzoNobel powder coating
Driver Type	Constant current
Input Voltage	120~277V/AC
Ambient Temperature	-20°C~45°C
Beam Angle	Asymmetric
Ingress Protection	IP65

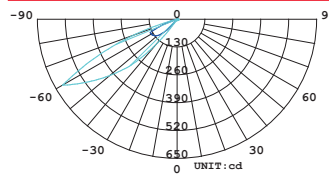
#### Certifications



#### Dimensions



#### Photometric Data



#### Ordering Guide:

Example: <sup>1</sup>ET2155 - <sup>2</sup>C8 - <sup>3</sup>3 - <sup>4</sup>80 - <sup>5</sup>G - <sup>6</sup>DMG

1 Series	2 Power	3 CCT	4 Ra	5 Faceplate Colour	6 Accessories
ET2155	C8: LED 8W	3: 3000K 4: 4000K 6: 6000K	80: Ra80	B: Black RAL9011 W: White RAL9016 G: Gray RAL7012 Z: Mineral bronze S: Silver RAL9006	M: Marine ambient corrosion resistance DMG: 0-10V Dimming

