



BL2003 LED 12W

Applications

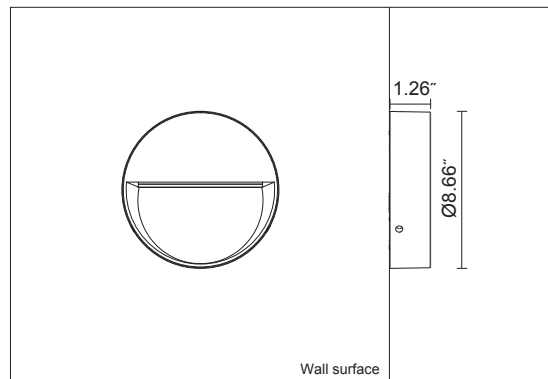
Surface mounted step light with smooth baffle, elegant and discreet, ideally suited for illuminating pathways and architectural surface perimeters.

Specifications

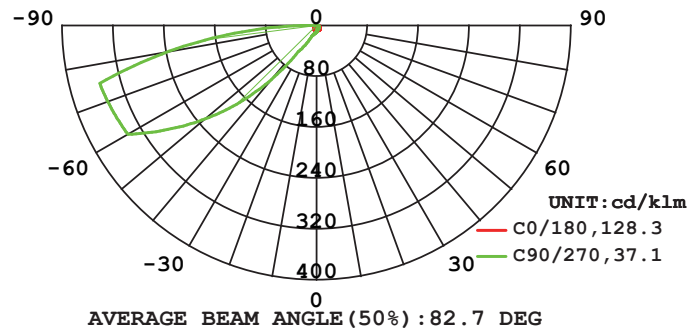
Housing	Die-cast aluminum
Baffle Faceplate	Die-cast aluminum
Gasket	Silicone rubber
LED Optic	Tempered Glass
Surface Finish	AkzoNobel powder coating
Driver Type	Constant current
Input Voltage	120~277V/AC
Ambient Temperature	-20°C~45°C
Beam Angle	Asymmetric
Ingress Protection	IP65

Certifications 

Dimensions



Photometric Data



Ordering Guide:

Example: BL2003 - C12 - 4 - 80 - B

Series	Power	CCT	Ra	Housing Color	Accessories
BL2003	C12: LED 12W	3: 3000K 4: 4000K 6: 6000K	80: Ra80 90: Ra90	B: Black RAL9011 W: White RAL9016 G: Gray RAL7012 Z: Mineral bronze S: Silver RAL9006	M: Marine ambient corrosion resistance DMG: 0-10V Dimming

