

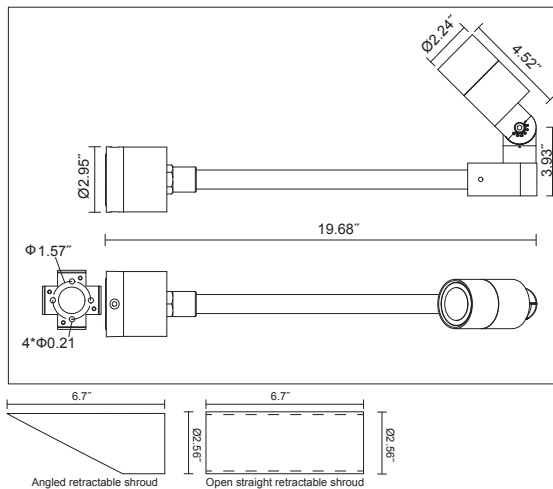


BL7025 LED 4W, 8W

Applications

LED accent light with multiple beam patterns and retractable shrouds, 360° rotatable and 180° tiltable, ideally suited for accent lighting. Mounting bracket extends fixture setback to enable broader coverage of target vertical surface while the miniature size keeps fixture and bracket images inconspicuous. TRIAC dimming standard.

Dimensions



Specifications

Housing	Die-cast aluminum
Gasket	Silicone rubber
Front Cover	Tempered Glass
LED Optic	Polycarbonate Lens
Surface Finish	AkzoNobel powder coating
Driver Type	Constant current, TRIAC dimming standard
Input Voltage	120V/AC
Ambient Temperature	-20°C~45°C
Ingress Protection	IP65

Certifications



Options and Accessories

Shroud

- No shroud
- Angled retractable shroud
- Open straight retractable shroud

Housing Color

- Black RAL9011
- White RAL9016
- Gray RAL7012
- Mineral bronze
- Silver RAL9006

- Horizontal spread H40°xV20°
- Honeycomb Louver

Ordering Guide:

Example: BL7025 - C4 - 4 - 15 - 80 - NS - B - H

1 Series	2 Power	3 CCT	4 Beam angle	5 Ra	6 Shroud	7 Housing Color	8 Accessories
BL7025	C4: COB 4W C8: COB 8W	3: 3000K 4: 4000K	15: 15° 25: 25° 30: 30° 4020: H40°xV20°	80: Ra80	NS: No shroud AS: Angled retractable shroud OS: Open straight retractable shroud	B: Black RAL9011 W: White RAL9016 G: Gray RAL7012 Z: Mineral bronze S: Silver RAL9006	H: Honeycomb Louver M: Marine ambient corrosion resistance (TRIAC dimming standard)

