



### BL7069-LV LED 15W, 21W

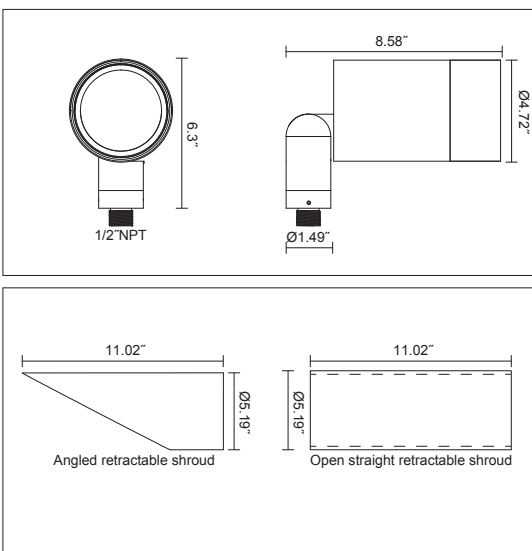
#### Applications

Low voltage LED accent light with multiple beam patterns and retractable shrouds, 360° rotatable and 180° tiltable, ideally suited for accent lighting. NPT 0.5" stem connects to (existing) 12V/AC junction box or optional mounting brackets. 24V/DC input voltage available for remote driver.

#### Specifications

Housing	Die-cast aluminum
Gasket	Silicone rubber
Front Cover	Tempered Glass
LED Optic	Polycarbonate Lens
Surface Finish	AkzoNobel powder coating
Driver Type	Constant current
Input Voltage	12V/AC, 24V/DC
Ambient Temperature	-20°C~45°C
Ingress Protection	IP65
Certifications	Listed Driver Required

#### Dimensions

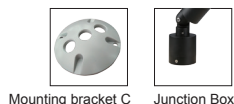
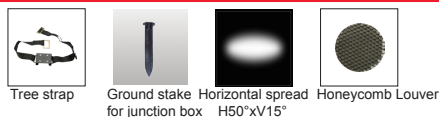


#### Options and Accessories

##### Shroud



##### Housing Color



#### Ordering Guide:

Example: BL7069-LV - C15 - 4 - 25 - 80 - 12 - NS - B - H

1 Series	2 Power	3 CCT	4 Beam angle	5 Ra	6 Input Voltage	7 Shroud	8 Housing Color	9 Accessories
BL7069-LV	C15: LED 15W C21: LED 21W	3: 3000K 4: 4000K 6: 6000K R: Red G: Green B: Blue	10: 10° 15: 15° 25: 25° 38: 38° 45: 45° 60: 60° 5015: H50°xV15°	80: Ra80	12: 12V/AC 24: 24V/DC	NS: No shroud AS: Angled shroud OS: Open straight shroud	B: Black RAL9011 W: White RAL9016 G: Gray RAL7012 Z: Mineral bronze S: Silver RAL9006	KC: Mounting bracket C J: Junction Box R: Remote driver S: Ground stake P: Tree strap H: Honeycomb Louver M: Marine ambient corrosion resistance

